

Technical Information

No. 5541

Edition: 01/07

Substitutes: new
Status: valid



Xenon Short Arc Lamp

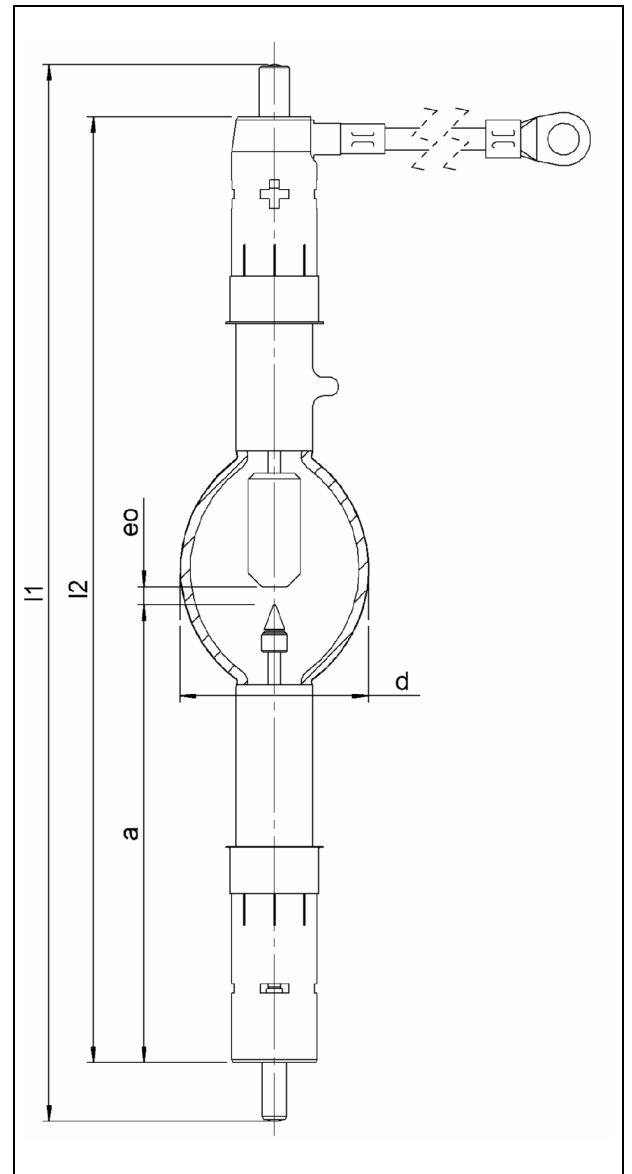
XBO[®] 3000 W/H XL OFR

■ Product description

The OSRAM XBO[®] 3000 W/H XL OFR is a DC-operated lamp, developed with the latest high brightness technology for XBO lamps. The XL lamps, which stands for Xtreme life, are strictly optimized on performance and have an increased warranty by up to 50%.

■ Technical data

Order reference	XBO [®] 3000 W/H XL OFR	
Rated lamp wattage	W	3000
Rated lamp voltage	V	29
Rated lamp current (DC)	A	100
Current control range	A	60 - 110
Ignition voltage	kV _p	36
Min. open circuit voltage for cold / hot ignition	V	85 / 110
Luminous flux	lm	130000
Luminous intensity	cd	12000
Average luminance	cd/cm ²	85000
Luminous area w x h *)	mm	1.7 x 5.0
Electrode gap e (cold)	mm	6
Lamp length (overall) l ₁	mm	max. 428
Lamp length l ₂	mm	max. 382
LCL a	mm	167,5
Bulb diameter d	mm	66
Warranty	h	2.200
Base	Cathode	SFaX27-14
	Anode	SFaX27-13



*) w = luminance half width value; h = height of luminous area (corresponds to electrode gap, hot)

■ Lamp operation

Maximum permissible base temperature	230 °C
Cooling	forced cooling / fan
Min. air flow velocity around discharge vessel	6 m/s
Magnetic arc stabilization	necessary for horizontal operation
Operating position	s 30 (vertical ± 30°; anode up) ; p 30 (horizontal ± 30°)